

Ex-TAM813

## Ex-TAM

Protection class with immersion tube:

**Ex** II 2G Ex d e IIC T6 Gb

**Ex** II 1/2D Ex ta/tb IIIC T80 °C Da/Db

The sensor cartridge at the end of the capillary tube is the actual active (temperature-sensitive) part of the sensor. Changes in temperature on the capillary tube have no effect on the

switching point. Pressure-tight installation of the sensor in pressure vessels of all kinds is possible with the aid of an immersion well.



SIL 2 according IEC 61508-2

### Technical data

**Body** Diecast aluminium GD Al Si 12 according to DIN 1725.

**Mounting position** vertically upright

**Permitted ambient temperature at switching device** -20 to +60 °C

**Capillary tube** Cu capillary tube, 1.5 m long  
Other capillary tube lengths are not possible

**Sensor cartridge** 8 mm Ø, 100 mm long, material: Cu

**Contact arrangement** Single pole changeover switch

**Switching capacity** 8 (5) A 250 VAC

**Degree of protection** IP 65 according to DIN EN60529 (with vertical installation)

**Calibration** Scale value corresponds to the lower switching point (with falling temperature), the upper switching point is higher by the amount of the switching differential

**Switching temperature** Adjustable via the setting spindle with a screwdriver

**Switching differential** Not adjustable

**Mounting** Temperature sensor with or without immersion tube in containers, air ducts etc.  
Switching device with 2 screws (Ø 4) directly on a flat wall surface

### Product Summary

| Type             | Setting range  | Switching differential (Tolerance) | Max. permissible temperature at sensor |
|------------------|----------------|------------------------------------|--|
| <b>Ex-TAM022</b> | -20 to + 20 °C | 0,2 ... 2,0 K                      | 110 °C                                 |
| <b>Ex-TAM150</b> | +10 to + 50 °C | 0,8 ... 2,5 K                      | 110 °C                                 |
| <b>Ex-TAM490</b> | +40 to + 90 °C | 1,0 ... 4,0 K                      | 125 °C                                 |
| <b>Ex-TAM813</b> | +80 to +130 °C | 2,0 ... 8,0 K*                     | 150 °C                                 |

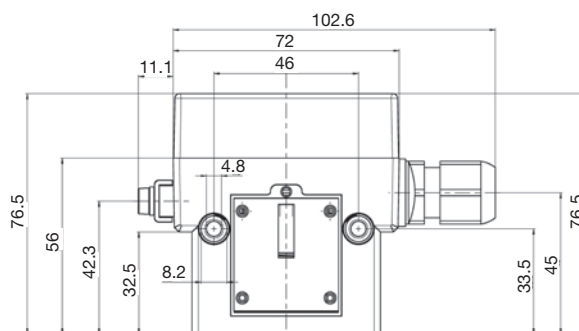
\* 2,5 K in the range: 90 – 130 °C, 8 K in the range: 80 – 90 °C

### Accessories

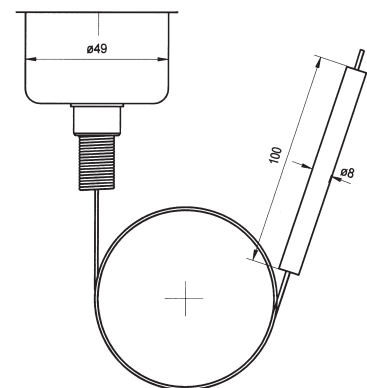
Immersion tube type ... R1, R2, R3, RN1, RN2, page 148.

## Dimensioned drawings (mm)

### Switching housing 700 (terminal connection, Ex-d)



Switching housing



Temperature sensor